



**DUST SUPPRESSION  
WATER TANK**



# DUST SUPPRESSION WATER TANK LINE

DUST SUPPRESSION WATER TANK line includes three different manual pressure sprayers for the suppression of the dust in various working environments.

These pressure sprayers can be connected through a 4 m long hose with a quick connector to diamond blade tools such as power cutters and core drills. These pressurized water tanks provide a mobile water supply and ensure a clean, wet cutting without dust build up. In addition, water supply maintains blade temperature low increasing its lifetime. These three models are fitted with natural clear sturdy tank that helps constantly monitoring water level. A-Type PRO WT can be connected to air pump fittings and is equipped with pressure gauge.



# TEC 10 WATER TANK

PRODUCT CODE: 7872.S001

Tec 10 WT is our basic dust suppression water tank, dedicated to who wants to get the job done in a simple yet effective way.

1. Exit support spring
2. Water stop hose connector
3. Fully braided 4 m long hose
4. Safety valve
5. Brass internal connector

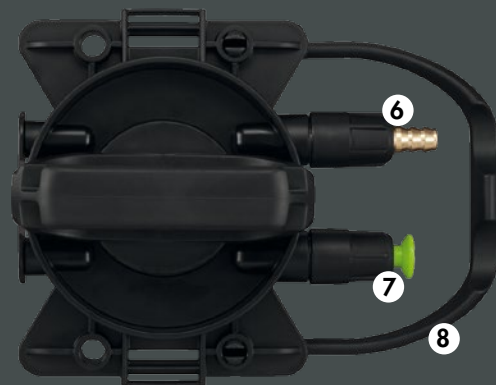


# A-TYPE 10 PRE WATER TANK

PRODUCT CODE: 7870.S001

A-Type 10 PRE WT is a sturdy and professional dust suppression water tank. Fitted with an extra wide stability base and a protective bar.

1. Exit support spring
2. Water stop hose connector
3. Fully braided 4 m long hose
4. Extra wide stability base
5. Spare parts reclosable storage
6. Brass internal connector
7. Safety valve
8. Protective plastic bar



# A-TYPE 10 PRO WATER TANK

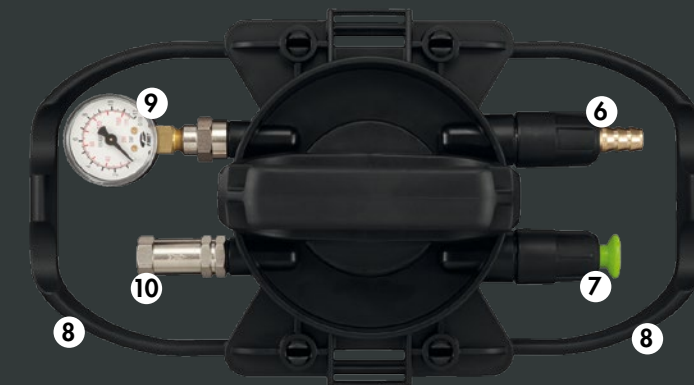
PRODUCT CODE: 7869.S001

A-Type 10 PRO WT is our fully-equipped dust suppression water tank. Besides a wide stability base, this version is fitted with unidirectional valve (to connect air pump fitting) and pressure gauge.

1. Exit support spring
2. Water stop hose connector
3. Fully braided 4 m long hose
4. Extra wide stability base
5. Spare parts reclosable storage
6. Brass internal connector
7. Safety valve
8. Protective plastic bar
9. Pressure gauge
10. Unidirectional valve to connect air pump fittings



**Water stop brass hose connector**  
Suitable for all WATER TANKS models  
Available upon request





Epoca SpA - Località San Lazzaro - Via Sant'Andrea, 24 - 36061 Bassano del Grappa (VI) - Italy  
Tel. +39 0424 884911 Fax +39 0424 567246 - info@epocaspa.com - www.epocaspa.com